



Toilet seat Subway 2.0 SC/QR

Model

9M68S1 Subway 2.0 toilet seat with Soft Closing and Quick Release, incl. 9222 24 61 fixed hinge with Quick Release
9M68Q1 Subway 2.0 toilet seat with Quick Release, incl. 9222 24 61 fixed hinge with Quick Release

Product Description

Subway toilet seat in Wrap Over design made of colour ingrained duroplast with fixed hinge in stainless steel and plastic
 - incl. fixed hinge with Quick Release in stainless steel and plastic
 - centre distance: 180 mm
 - load of ring seat: 240 kg
 - 10 year guarantee

Colour Programme

01 White (Alpin)
 R2 Star White
 R3 Pergamon

Hinge Finish

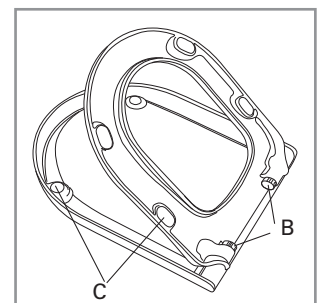
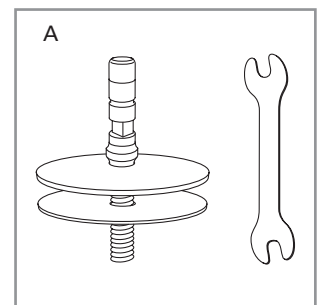
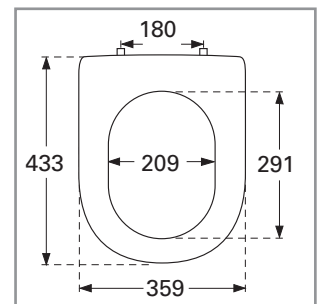
61 Stainless steel

Spare Parts

A) 9222 24 61 Fixed hinge with Quick Release in stainless steel and plastic
 B) 9222 91 00/9220 24 00 Soft Closing/Dummy Damper packet
 C) 9220 81 00 Buffers for seat and cover

Cleaning Instructions

Use a mild soap solution. Seat and hinge should not be left damp, but be dried with a soft cloth. When using abrasive, corrosive or chlorine based cleaners for the bowl, avoid contact with seat and hinge as it may lead to damages or flash rust. Therefore, when cleaning the bowl, make sure that seat and cover are in an upright position until all the cleaner has been flushed away

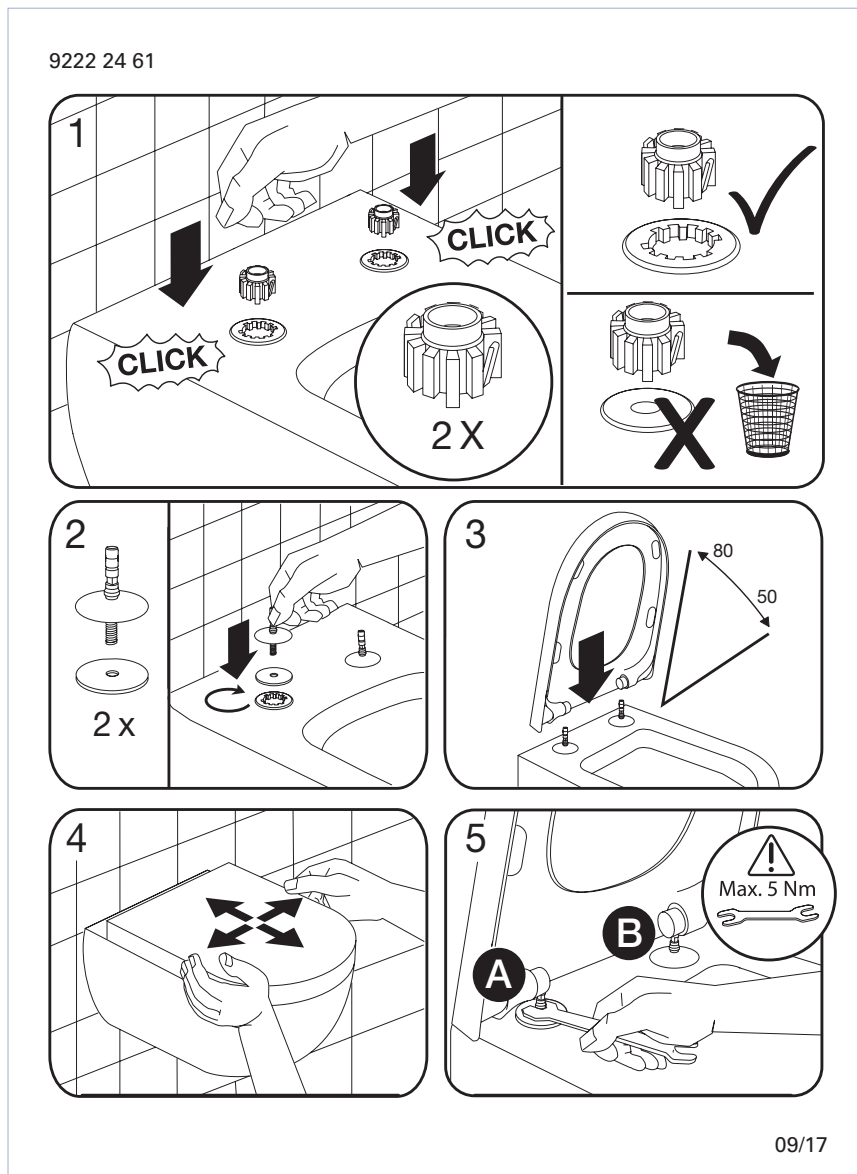


Villeroy & Boch

1748

Toilet seat Subway 2.0 SC/QR

Instruction manual



Material Description

TOILET SEAT: The material is colour ingrained duroplast (UF A 10 = urea formaldehyde) that contains no environmentally hazardous substances. UF plastic comprises 67% urea formaldehyde resin, 28% cellulose, as well as 5% minerals, pigments and moisture content. The raw material from the supplier contains less than 0,03% formaldehyde after a special curing process.

BUFFERS: EVA (copolymer made of ethylene and vinyl acetate).

DAMPER KIT: Hydraulic damper with stainless steel damper casing and plastic parts.
Damper liquid: Anti-friction liquid.

MOUNT/HINGE: Stainless steel and plastic.

Guarantee

The guarantee includes faults or defects in the material of our products within a periode of 10 years. Products subject to minor technical modifications and design deviations E. & O.E.